



**Perma Tech, Inc.**

*"Your Single Source for ALL Your Loading Dock Needs"*

# PermaDOCK-ULC

## Under Leveler Curtain

### *INSTALLATION INSTRUCTIONS*

**NOTE: CHECK SHIPPING CONTAINERS BEFORE RELEASING CARRIER.**

**. WARNING :** Do not install this product unless you have read and understand the warnings and installation instructions contained in the manual. Failure to do so could result in serious injury or death.



Perma Tech Inc. | 363 Hamburg Street | Buffalo, NY 14204  
TF: 1.800.362.7325 | P: 716.854.0707 | F: 716.854.0774  
[www.PermaTechInc.com](http://www.PermaTechInc.com)



# PermaDOCK-ULC Under Leveler Curtain

## Installation Instructions

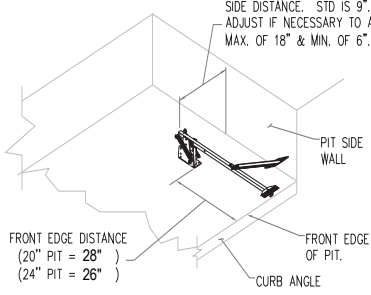


Diagram illustrating the placement of the pivot arm assembly. Labels include: SIDE DISTANCE, STD IS 9", ADJUST IF NECESSARY TO A MAX. OF 18" & MIN. OF 6"; PIT SIDE WALL; FRONT EDGE DISTANCE (20" PIT = 28" ) (24" PIT = 26" ); FRONT EDGE OF PIT.; CURB ANGLE.

**STEP 1:**  
**DETERMINE THE PIVOT ARM PLACEMENT AND MARK LOCATIONS FOR THE ANCHORS. LOCATE THE PIVOT ARMS SO THEY AVOID HEADER OBSTACLES, POWER UNITS, ETC.**

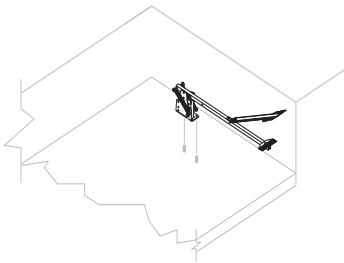


Diagram illustrating the installation of the pivot arm assembly. Labels include: PIT SIDE WALL; FRONT EDGE OF PIT.; CURB ANGLE.

**STEP 2:**  
**DRILL HOLES AND INSTALL THE ANCHORS, SO MOST OF THE SLOT ADJUSTMENT GOES TO BACK INTO THE PIT. THEN SECURE PIVOT ARM ASSEMBLY TO PIT FLOOR AT CORRECT FRONT DISTANCE**

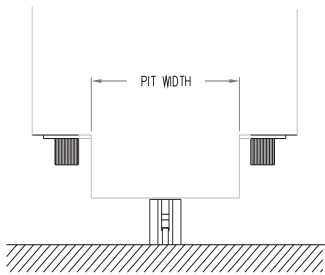


Diagram illustrating the measurement of the pit width. Label: PIT WIDTH.

**STEP 3:**  
**MEASURE THE PIT AND DRY FIT CURTAIN WIDTH FOR CORRECT FIT. CURTAIN SHOULD BE FLUSH ON BOTH ENDS WITH NO OVERLAP.**

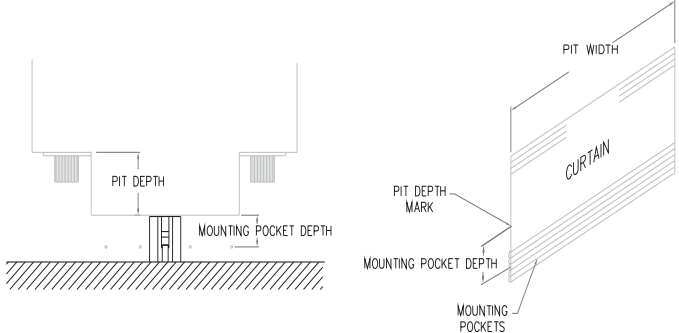


Diagram illustrating the measurement of the pit depth and mounting pocket depth. Labels include: PIT WIDTH; PIT DEPTH; MOUNTING POCKET DEPTH; PIT DEPTH MARK; MOUNTING POCKET DEPTH; MOUNTING POCKETS; CURTAIN.

**STEP 4:**  
**MEASURE THE PIT DEPTH. THEN MEASURE THE DROP (OR HEIGHT) OF THE CURTAIN. PIT DEPTH FOR 20" PIT = 11" AND 24" PIT = 7"**

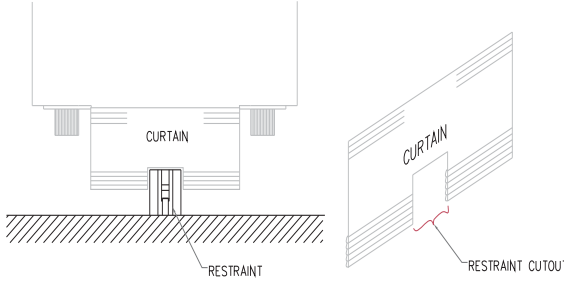


Diagram illustrating the attachment of the curtain to the pit face. Labels include: CURTAIN; RESTRAINT; RESTRAINT CUTOUT.

**STEP 5:**  
**CUT OUT FOR THE RESTRAINT AND ANY OTHER OBSTACLES THAT ARE PRESENT.**

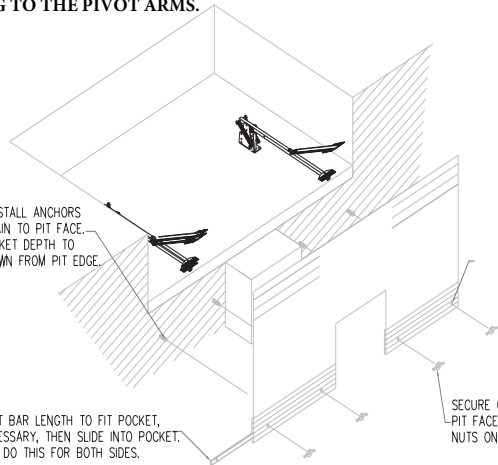


Diagram illustrating the attachment of the curtain to the pit face. Labels include: DRILL HOLES AND INSTALL ANCHORS FOR MOUNTING CURTAIN TO PIT FACE. USE MOUNTING POCKET DEPTH TO DETERMINE DISTANCE DOWN FROM PIT EDGE.; CURTAIN; RESTRAINT CUTOUT; RESTRAINT; CUT BAR LENGTH TO FIT POCKET, IF NECESSARY, THEN SLIDE INTO POCKET. DO THIS FOR BOTH SIDES.; SECURE CURTAIN TO PIT FACE WITH WING NUTS ON ANCHOR STUDS.

**STEP 6:**  
**ATTACH CURTAIN TO THE PIT FACE FIRST, BEFORE ATTACHING TO THE PIVOT ARMS.**

# PermaDOCK-ULC Under Leveler Curtain

## Installation Instructions

---

STEP 7:

ATTACH CURTAIN TO PIVOT ARMS. THEN FINISH ATTACHING CURTAIN TO SPRING STAYS ON PIVOT ARMS. ATTACH CURTAIN VELCRO FLAPS TO VELCRO FLAPS ON PIVOT ARM ASSEMBLIES. KEEP A GOOD, TIGHT SEAL.



## LIMITED PRODUCT WARRANTY

Perma Tech, Inc. warrants the material and workmanship in any product manufactured by Perma Tech, Inc. for a period of one year from the date of shipment to customer if properly installed, maintained and used. This limited warranty shall not apply in the event of misuse or modification by customer or to materials not manufactured and installed by Perma Tech, Inc.

In the event of any defects covered by this warranty, Perma Tech, Inc. will remedy such defects by repairing or replacing at its expense any defective products or, at its option, refunding the original purchase price excluding installation, freight and tax. This shall be customer's exclusive remedy for all claims whether based on warranty, contract, negligence, strict liability or other legal theory.

Written notice of any claim must be made within the warranty period by first class mail or personal delivery to a suitable person at Perma Tech's office at 363 Hamburg Street, Buffalo, New York 14204. Notice of delivery by e-mail or fax is not acceptable.

PERMA TECH, INC. EXPRESSLY DISCLAIMS AND CUSTOMER WAIVES ALL IMPLIED WARRANTIES INCLUDING WITHOUT LIMITATION, ANY IMPLIED WARRANTIES OF MERCHANTABILITY OR FITNESS FOR A PARTICULAR PURPOSE. PERMA TECH, INC. SHALL NOT IN ANY EVENT BE LIABLE FOR AND CUSTOMER WAIVES ANY INCIDENTAL, CONSEQUENTIAL OR PUNITIVE DAMAGES OF ANY KIND TO CUSTOMER OR ANY THIRD PARTY, INCLUDING WITHOUT LIMITATION DAMAGES FOR LOST PROFITS, EVEN IF ADVISED OF SAME.

---